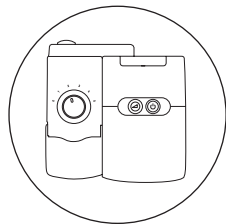
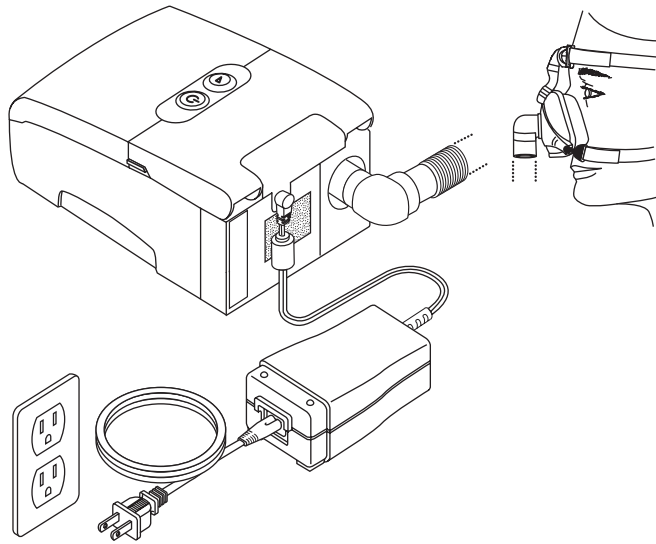


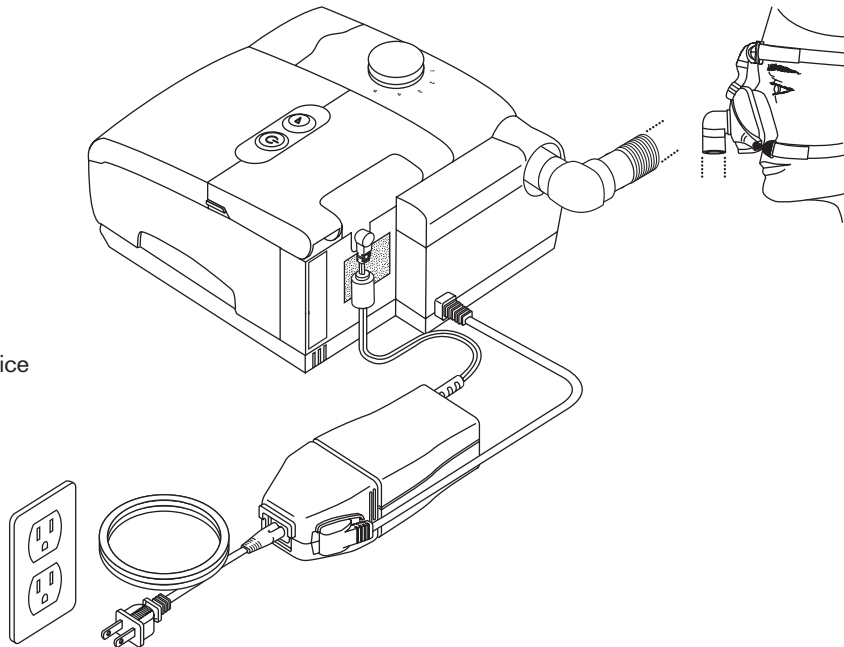
M SERIES

Final system setup for the device.

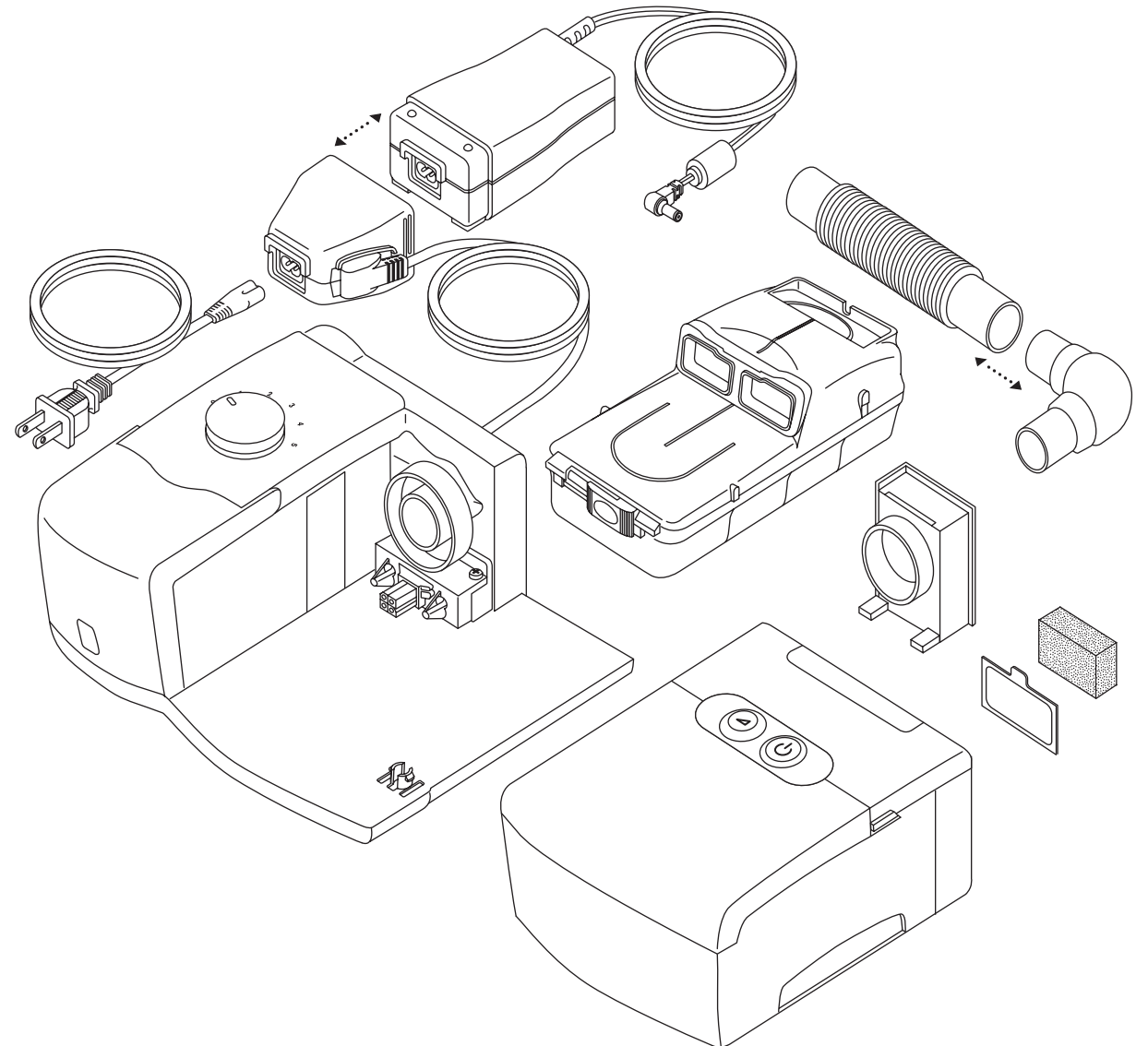


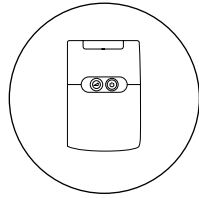
M SERIES and humidifier

Final system setup for the device
and the humidifier.



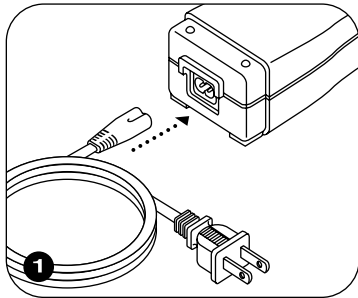
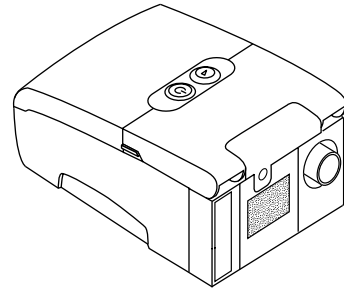
M SERIES QUICKSTART GUIDE



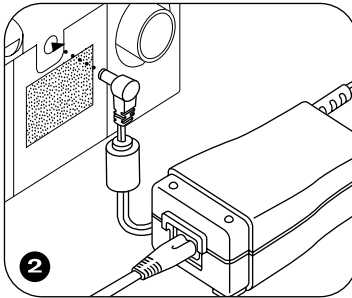


M SERIES

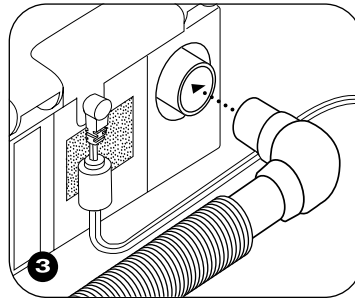
Complete the following steps to set up your M Series device.



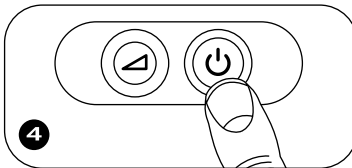
1 Plug the AC power cord connector into the power supply, then plug the power cord into an electrical outlet.

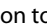


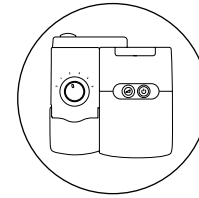
2 Plug the power supply cord connector into the device.



3 Attach the tubing to the swivel, and attach the swivel to the device's air outlet port. Or, attach the tubing directly to the air outlet port.

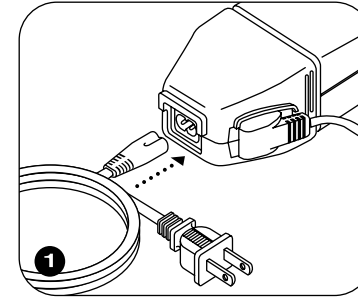
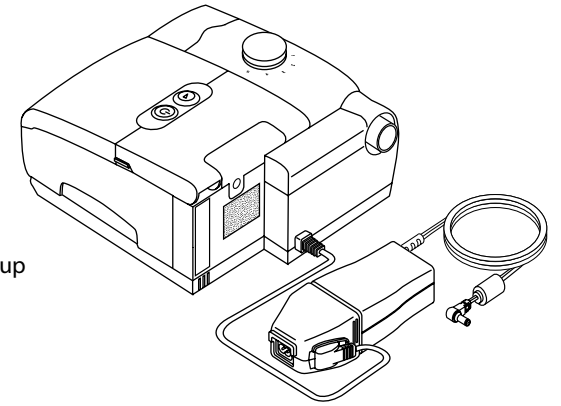


4 Press the  button to begin therapy.

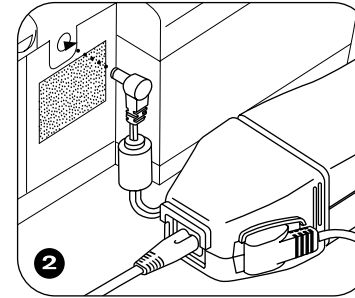


M SERIES and humidifier

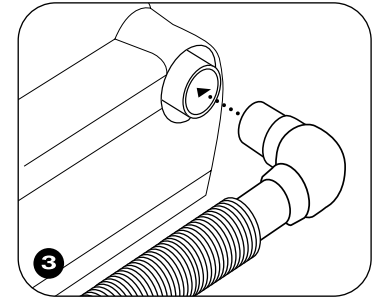
Complete the following steps to set up your M Series device and humidifier.



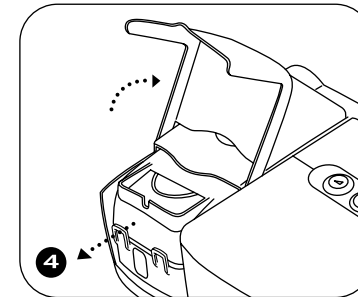
1 Connect the humidifier power supply connector to the device power supply. Plug the AC power cord connector into the power supply, then plug the power cord into an electrical outlet.



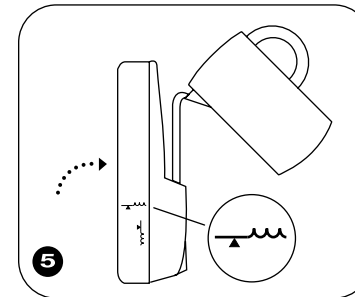
2 Plug the power supply cord connector into the device.



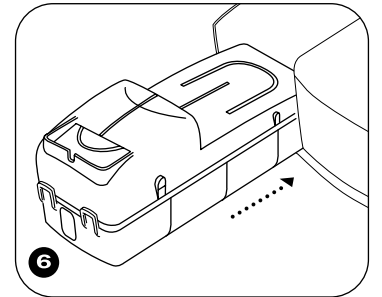
3 Attach the swivel, with the flexible tubing attached, to the humidifier's air outlet port. Or, attach the tubing directly to the air outlet port.



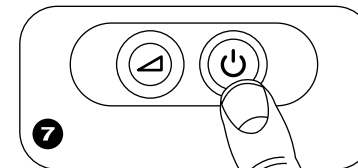
4 Lift the humidifier door to access the water tank.



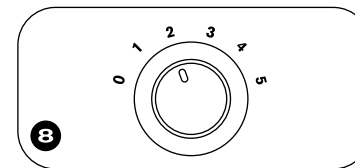
5 Fill the tank with water until it reaches the fill line.



6 Place the water tank back in the humidifier.



7 Press the  button to begin therapy.



8 Turn the humidifier knob to the desired setting.

CAUTION

DO NOT TIP OR TRANSPORT THE DEVICE WITH WATER IN THE HUMIDIFIER TANK.